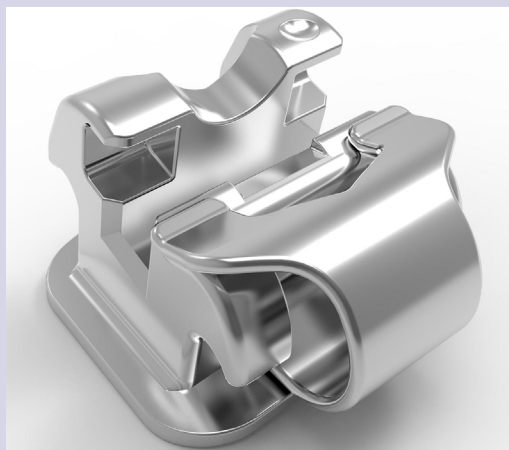


Springtime™

Self-ligating bracket

- Interactive Self-ligating bracket with a clip
- Made of a hard 17-4 stainless steel material.
- Metal injection molding (MIM) advanced technology
- Contoured appearance for maximum comfort
- Mesh base with laser mark
- Available in Roth .022.018 and MBT will be available next year



Passive Phase

Small round wires slide freely, initiating the tooth movement process as the archwire gently levels the teeth and coaxes them into alignment.



Expressive Phase

Square or rectangular wires are seated into the base of the slot without contacting the clip. Rotations are corrected and space closures are completed.



Active Phase

Rectangular archwires extend beyond the slot to fully engage the clip, providing the active control necessary for finishing uprighting of the roots and adjusting the torque

GESTENCO
Smiles forever

Gestenco International AB, P.O. Box 240 67, SE-400 22 Gothenburg, Sweden
Phone +46 (0)31 81 00 35. Fax +46 (0)31 81 46 55, www.gestenco.com

Springtime™ Formula Roth*

Type	Description	Torque	Ang.	Roth .022
Centrals	Upper right	+12	5	SP-11-55
	left			SP-21-55
Laterals	Upper right	+8	9	SP-12-55
	left			SP-22-55
Cuspids w/hook	Upper right	-2	10	SP-13-55HK
	left			SP-23-55HK
1st Bicuspid	Upper right	-7	0	SP-14-55
	left			SP-24-55
1st Bicuspid	Upper right	-7	0	SP-14-55HK
	left			SP-24-55HK
2nd Bicuspid	Upper right	-7	0	SP-15-55
	left			SP-25-55
2nd Bicuspid	Upper right	-7	0	SP-15-55HK
	left			SP-25-55HK
Anteriors	Lower right	-1	0	SP-40-55
	left			SP-30-55
Cuspids w/hook	Lower right	-11	7	SP-43-55HK
	left			SP-33-55HK
1st Bicuspid	Lower right	-17	0	SP-44-55
	left			SP-34-55
1st Bicuspid	Lower right	-17	0	SP-44-55HK
	left			SP-34-55HK
2nd Bicuspid	Lower right	-22	0	SP-45-55
	left			SP-35-55
2nd Bicuspid	Lower right	-22	0	SP-45-55HK
	left			SP-35-55HK

GESTENCO
Smiles forever

Gestenco International AB, P.O. Box 240 67, SE-400 22 Gothenburg, Sweden
Phone +46 (0)31 81 00 35. Fax +46 (0)31 81 46 55, www.gestenco.com